

PROCESS SOLUTIONS
FOR HOTMELT COOLING



DrumCooler

Type CCC-40/40 R
Type CCC-40/60 R

The DrumCooler types CCC are designed for continuous cooling and solidification of viscous products. They are distinguished by its high cooling efficiency as well as its minimum space requirement and small footprint.

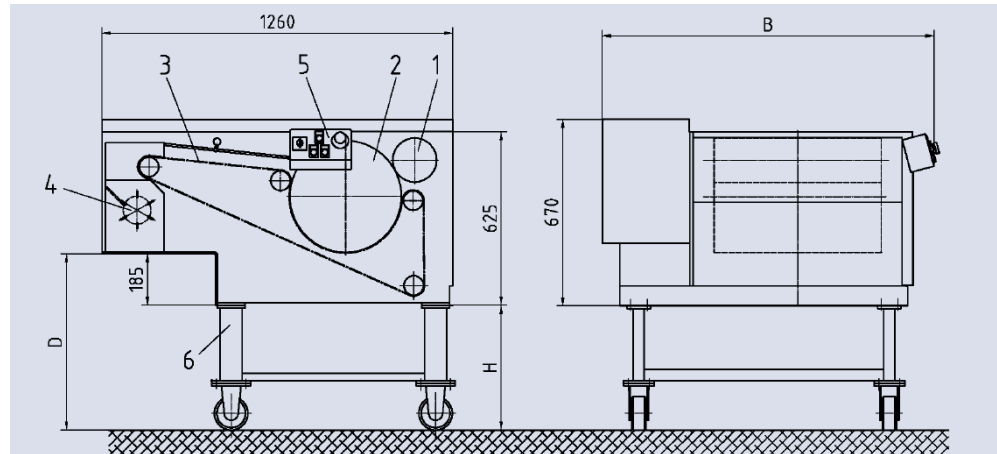
The product, which has been rolled out into a thin film, is pressed up against the surface of a cooled drum and is fed into a crusher unit.

Your benefits

- Compact design
- Closed water loop of cooling media
- Adjustable calender nip to control product layer thickness
- Special design featuring easy access and quick cleaning
- Stainless steel execution
- Narrow distribution of the chip sizes
- Throughput

CCC-40/40	CCC-40/600
ca. 150 kg/h	ca. 250 kg/h
depends on product and production parameters	





Legend:

- Pos. 1 Squeezing drum Pos. 2 Cooling drum Pos. 3 Conveyor belt
Pos. 4 Crusher unit Pos. 5 Control panel Pos. 6 Frame support

Technical data:

		CCC-40/40	CCC-40/60
Overall width	B	1030 mm	1200 mm
Overall length		1260 mm	1260 mm
Product inlet height		H + 625 mm	
Discharge height	D	H + 185 mm	
Width of cooling drum		400 mm	600 mm
Ø of squeezing drum		158 mm	
Ø of cooling drum		400 mm	
Power consumption		1.3 kW	
Total net weight		750 kg	

Options:

- Micro-crusher shaft
- Rails
- Special material layer on drums available



(- Pictures including options
- technical changes reserved)

