

PROCESS SOLUTIONS
FOR HOTMELT COOLING



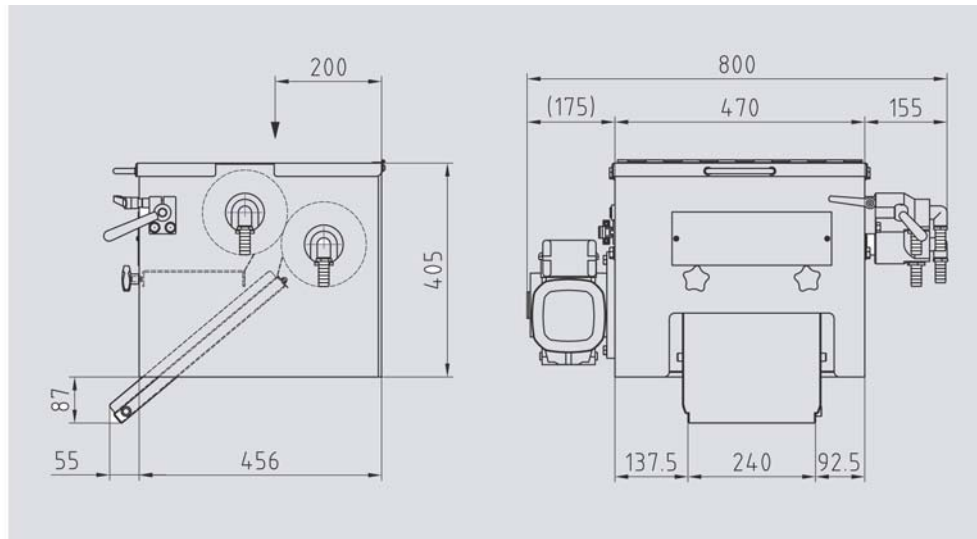
Laboratory DrumCooler for R & D Type CCCL-16/ 25

The Laboratory DrumCooler type CCCL-16/25 is designed for use in R & D.

The handling of up to 20 kg/h in non continuous operation is possible. The product which has been rolled out into a thin film between two water cooled drums is discharged by a cooled chute.

Your benefits

- Compact design
- Closed water loop of cooling media
- Adjustable calender nip to control product layer thickness
- Special design featuring easy access and quick cleaning
- Stainless steel
- Simple installation



Options:

- Cooled chute
- Swivel plate with support wheel
- Support with 4 wheels

Technical data:

Power consumption	CCCL-16/25
Cooling water temperature	0.37 kW
Cooling water consumption	12°C
Total net weight approx.	min. 50 l/min.
	100 kg

BBA Innova AG
Buchserstrasse 12
CH-5000 Aarau
Switzerland
Phone +41 62 836 99 66
Fax +41 62 836 99 69
cooler@bba-innova.com
www.bba-innova.com

CCCL-16/25 1.0.E

(- Pictures including options
- technical changes reserved)