

PROCESS SOLUTIONS
FOR HOTMELT COOLING



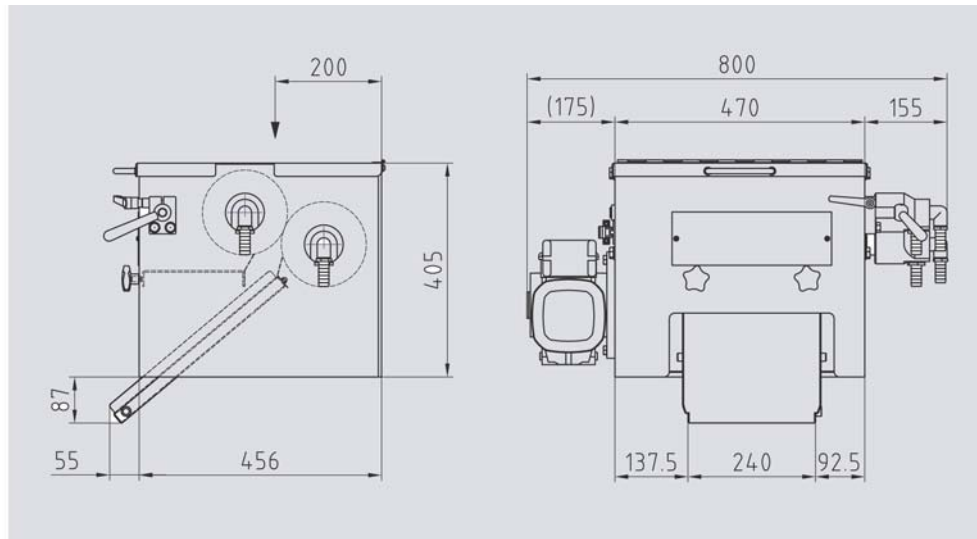
Laboratory DrumCooler for R & D Type CCCL-16/ 25

The Laboratory DrumCooler type CCCL-16/25 is designed for use in R & D.

The handling of up to 20 kg/h in non continuous operation is possible. The product which has been rolled out into a thin film between two water cooled drums is discharged by a cooled chute.

Your benefits

- Compact design
- Closed water loop of cooling media
- Adjustable calender nip to control product layer thickness
- Special design featuring easy access and quick cleaning
- Stainless steel
- Simple installation



Options:

- Cooled chute
- Swivel plate with support wheel
- Support with 4 wheels

Technical data:

| | |
|---------------------------|----------------|
| Power consumption | CCCL-16/25 |
| Cooling water temperature | 0.37 kW |
| Cooling water consumption | 12°C |
| Total net weight approx. | min. 50 l/min. |
| | 100 kg |

BBA Innova AG
Webereiweg 10
CH-402 Stengelbach
Switzerland
Phone +41 62 836 99 66
Fax +41 62 836 99 69
cooler@bba-innova.com
www.bba-innova.com

CCCL16/251.0.E.SB

(- Pictures including options
- technical changes reserved)